

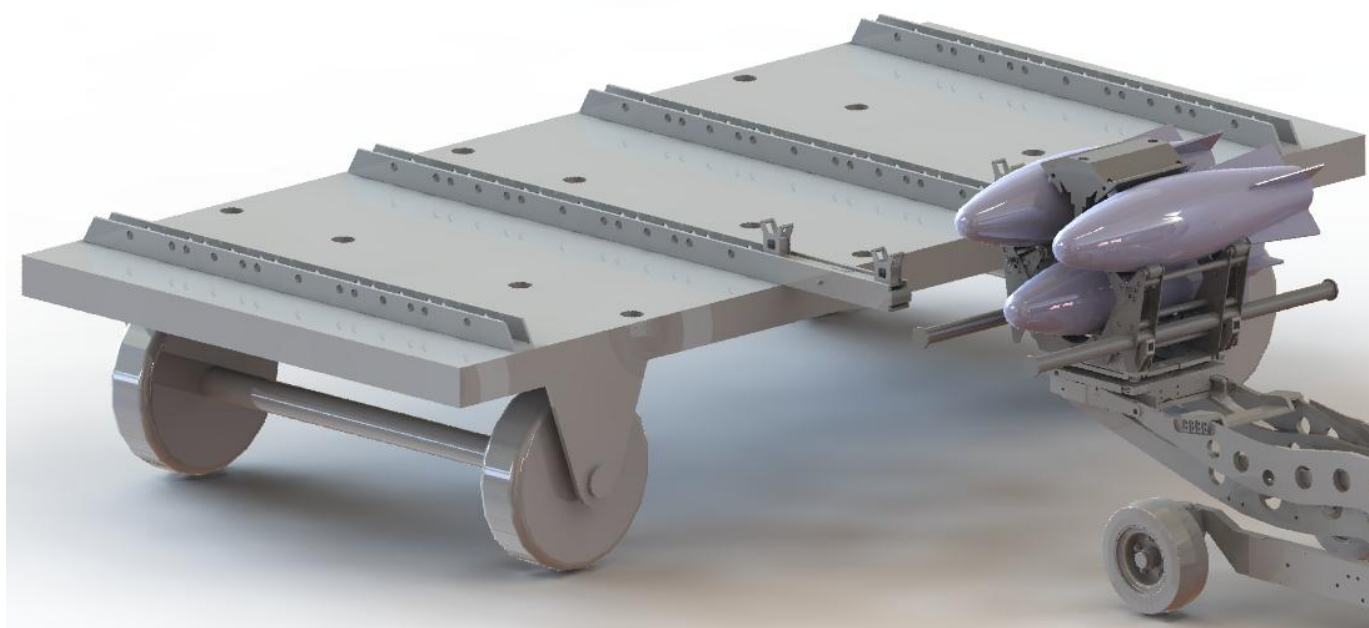
## MER-TER Cradle Adapter

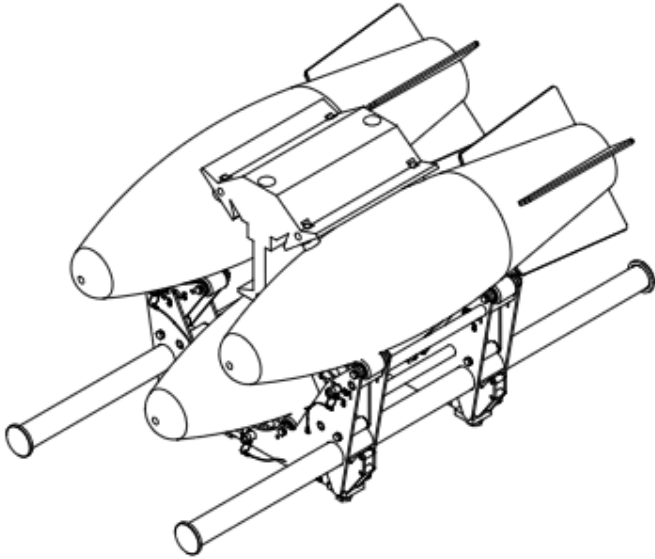
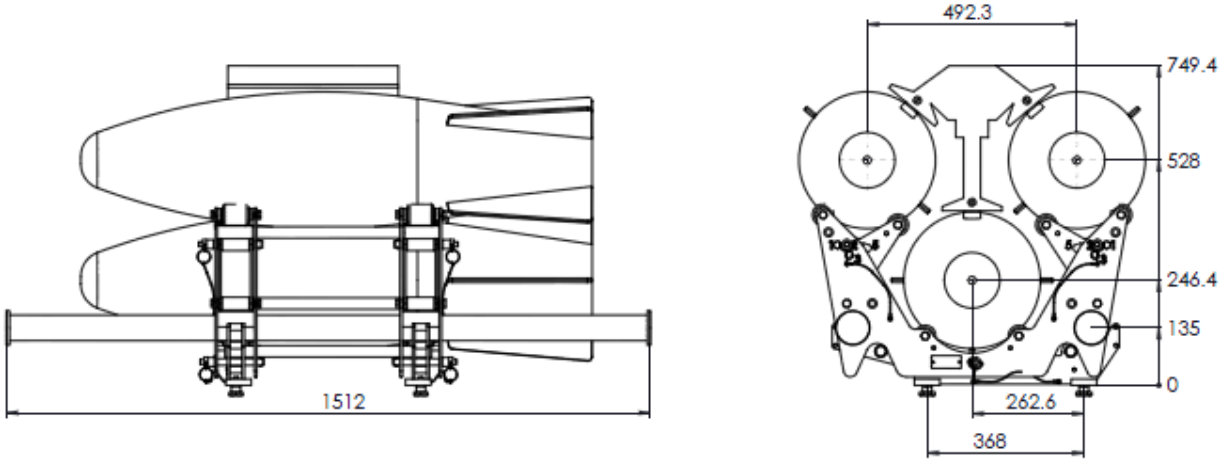
### APPLICATION

Handling equipment that fits the BL-1/MJ-1 table interface for storage transport, and loading of prepackaged multiple and triple ejection racks, the design enables easy loading and unloading from the MHU-110/M or MHU-141/M munitions trailer. With multiple location pin arrangement the cradles can handle any presently used rack configuration. Two cradles are used per MER, one cradle per TER. The Cradle construction enables to load and unload 1 or 3 bombs at a time.

### GENERAL CHARACTERISTICS

Capacity .....	1500 kgf
Weight .....	64 kgf





**Product Specification – Missile Telescopic Adapter**

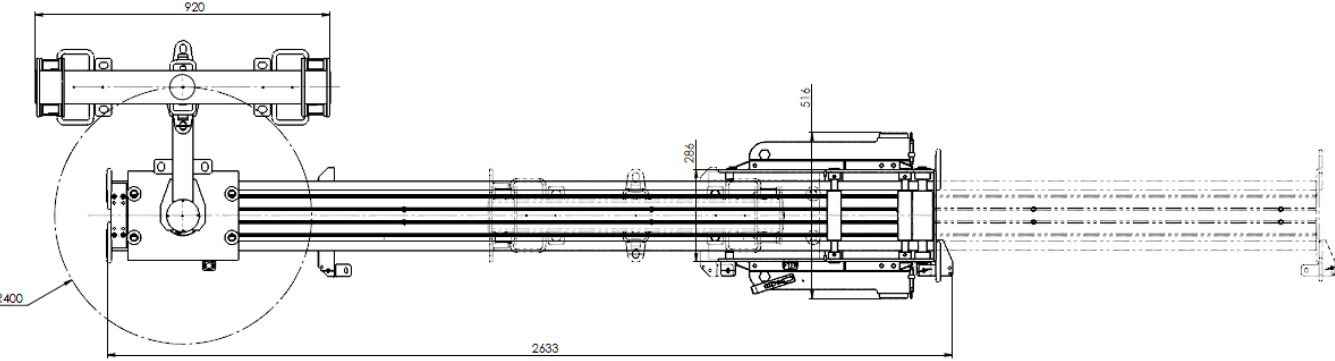
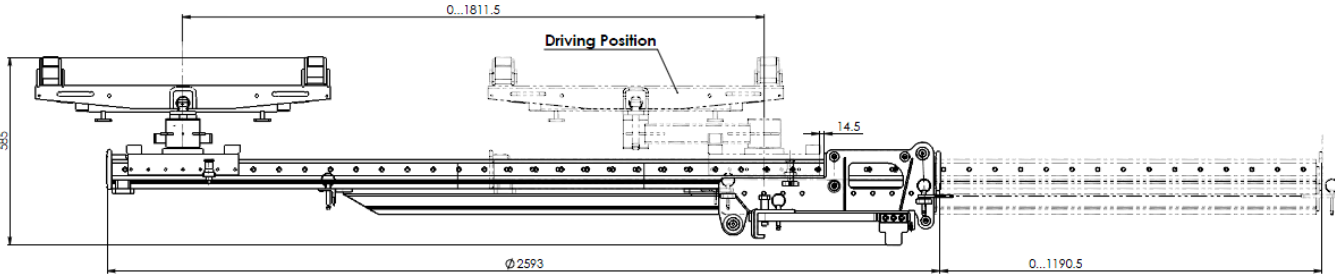
**APPLICATION**

The Missile Telescopic Slide adapter attaches to the BL-1/MJ-1 Table interface and allows carrying Air to Air missiles into hard to reach locations such as the F-15 2&8 Internal pylons.

**GENERAL CHARACTERISTICS**

Payload .....	250 kgf
Weight .....	300 kgf





**Product Specification - Fork Adapter**

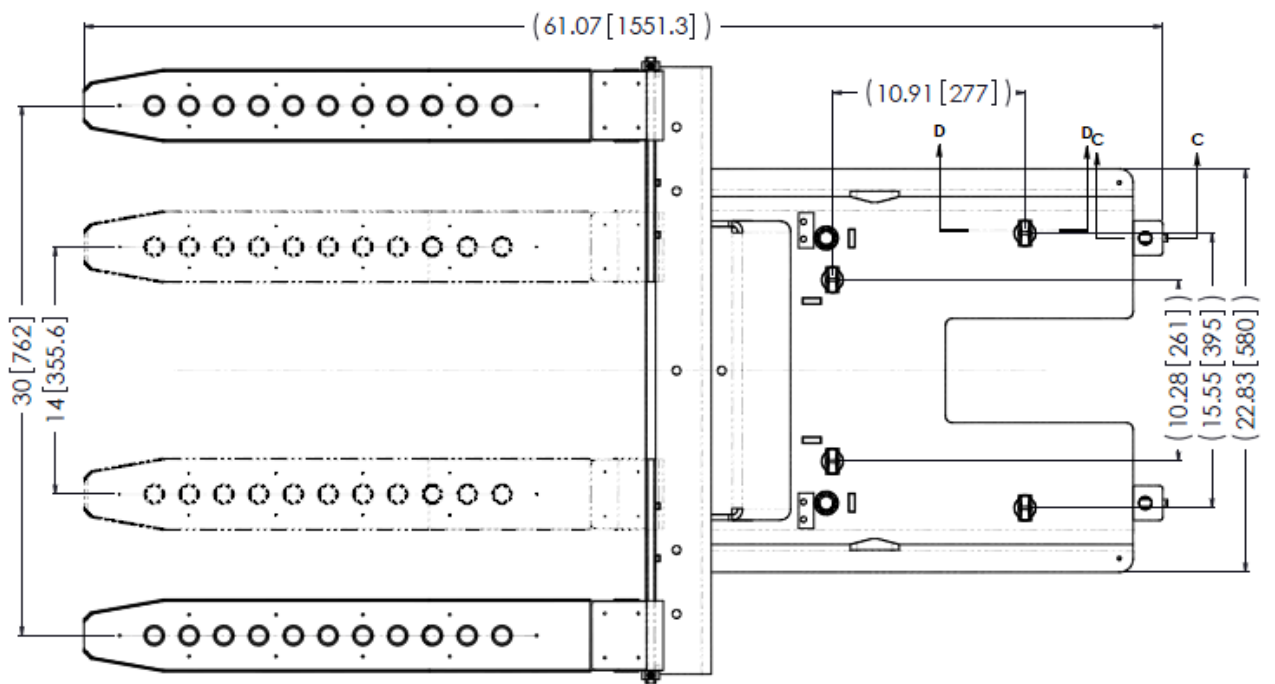
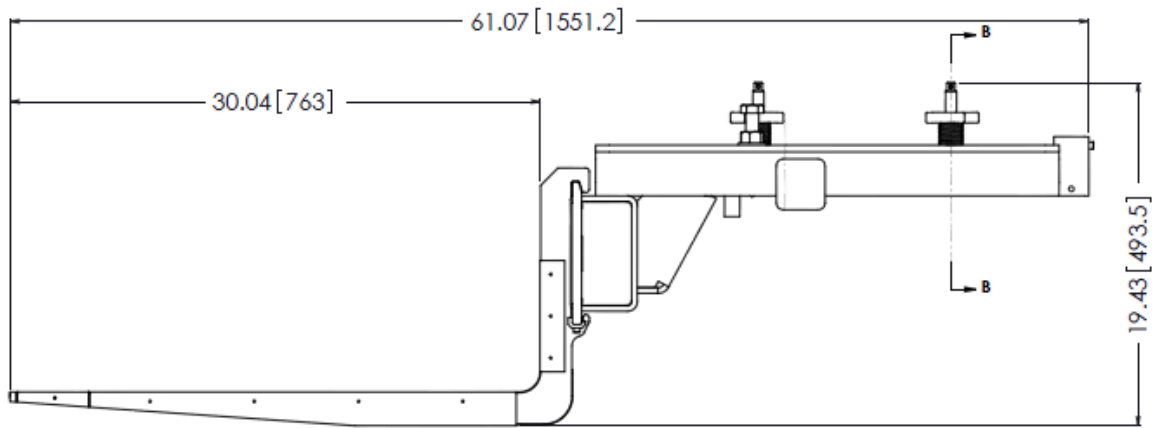
**APPLICATION**

The Fork adapters attaches by one person to the MJ-1, BI-1 and BI-2 and allows to carry Load of up to 1650 kgf, the Fork can be supplied plated by Stainless to allow ATEX approve operation

**GENETRAL CHARACTERISTICS**

Capacity .....	1650 kgf
Weight .....	180 kgf







**Product Specification – MHU 110-M Slide Adapter**

**APPLICATION**

Slide Extension for MHU 110-M munitions trailer that enables unloading up to 3000 kgf, with integrated support legs.

**GENERAL CHARACTERISTICS**

Weight Capacity ..... 3000 kg

**PERFORMANCE**

Munitions slide out ..... 1000 mm

Munitions pick-up height ..... 1285 mm

Munitions pick-up clearance ..... 395 mm

**TROLLEYS**

Number of stop positions on rail ..... 4

Number of carriages ..... 4

**MECHANICAL**

Rail end of travel hydraulic I shock absorbers ..... 14 J

