

BL ADVANCED GROUND SUPPORT SYSTEMS



BEST SOLUTION ON TIME!

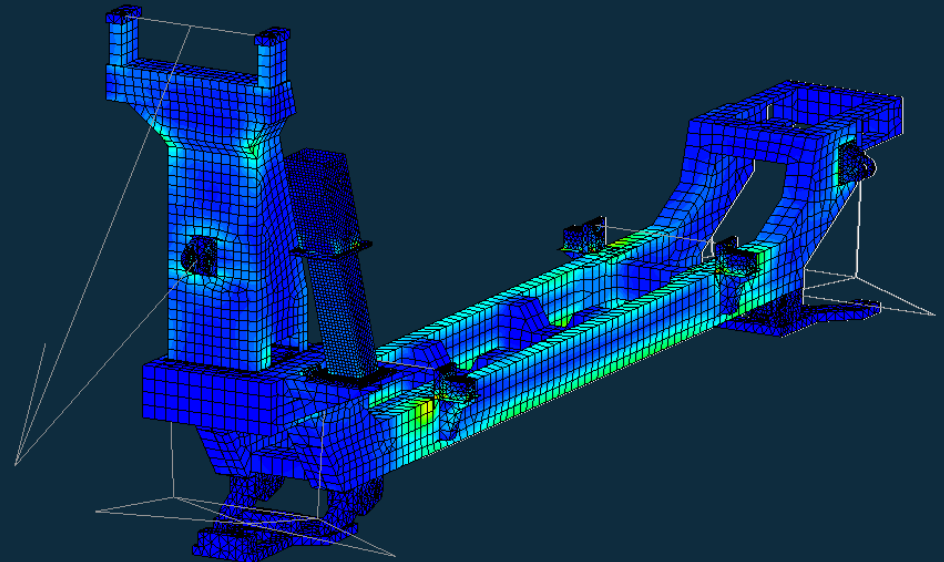
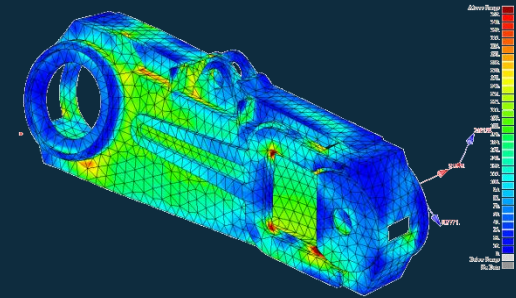
WHO WE ARE

- **BL** is a privately owned company, developing products for military and industrial applications.
- **BL** draws from more than 30 years of extensive experience in development and manufacturing of multi-disciplinary and advanced products.
- **BLs** ability to precisely comprehend customer needs, generate a smart solution, and produce a prototype in a very short period of time, makes it a leader in its field.
- **BLs** line of products include:
 - Air force weapon loaders, towers, and ground support systems.
 - Mobile platforms for artillery and missiles launchers.
 - HLS and surveillance systems.
 - Unmanned ground vehicles.

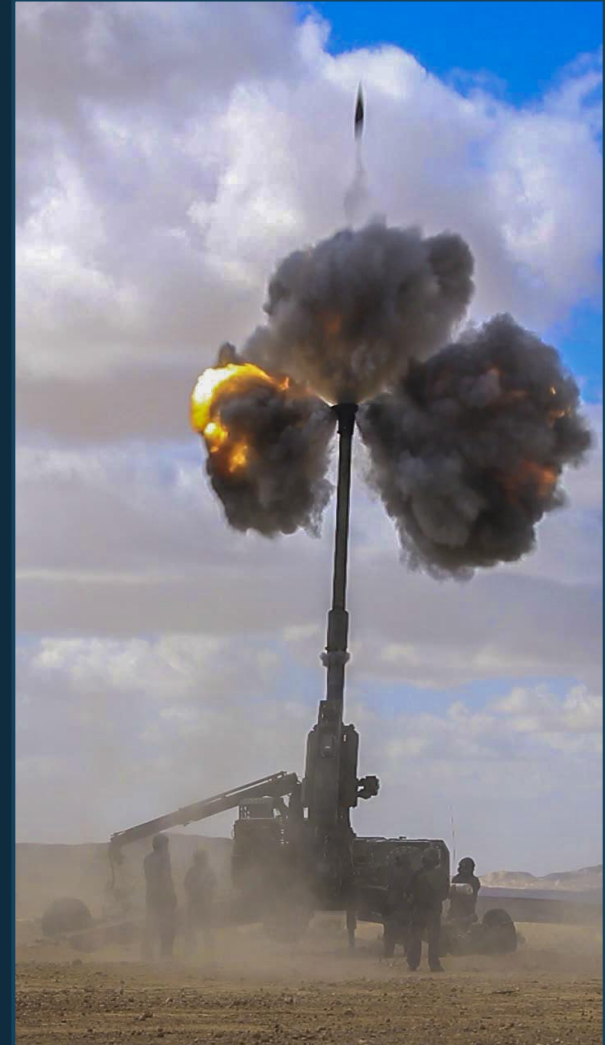
ENGINEERING EXPERTISE

An engineering team including mechanical and control engineers with vast knowledge in:

- Defense and Commercial products
- Complex structure mechanics
- FEA
- Control
- Hydrostatic propulsion
- Hydraulics



GROUND FORCES PRODUCTS



AIR FORCES PRODUCTS

