

**Product Specification - BL-1**

**APPLICATION**

The BL-1 Weapons Loader is a self-propelled, hydraulically operated vehicle designed to transport, lift and position various kinds of munitions, special weapons and pylons weighing up to 2300 kgf onto military aircraft.

**GENERAL CHARACTERISTICS**

Capacity on table .....	2300 kgf
Capacity On forks (600 mm from Table Center) .....	900 kgf
Weight .....	2200 kgf

**PERFORMANCE**

Lift	
On table, min .....	179 mm
On table, max .....	1976 mm
On forks, min .....	50 mm
On forks, max .....	1856 mm
Lift time, full travel .....	10 sec

**TABLE POSITIONING CAPABILITIES**

Pitch .....	5°
Roll .....	5°
Yaw (spin) cw / ccw .....	360°
Longitudinal .....	±60 mm
Lateral .....	±60 mm

**HYDRAULICS CHARACTERISTICS**

Lift system pressure .....	160 bar
Driving system pressure .....	140 bar

**MOBILITY**

Max. Speed unloaded .....	20 km/h
Max Speed loaded .....	10 km/h
Max Slope Unloaded .....	20%
Max Slope Loaded .....	10%
Sideway Slope .....	8%
Braking distance unloaded .....	1.8 m
Braking distance loaded .....	3.5 m
Turning radius (total swing clear) .....	3226 mm
Minimum radius .....	1473 mm
Track width (Front/Rear) .....	1041/1124 mm
Wheel base .....	1910 mm
Draw Bar Pull .....	1300 kgf
Steering .....	Hydraulic 4 wheel steering
Service brakes .....	Dual caliper disk
Parking brakes .....	Fail safe Brake
Transmission .....	hydrostatic automotive controlled
Tires front & rear (Pneumatics) .....	16x6-8 18 ply

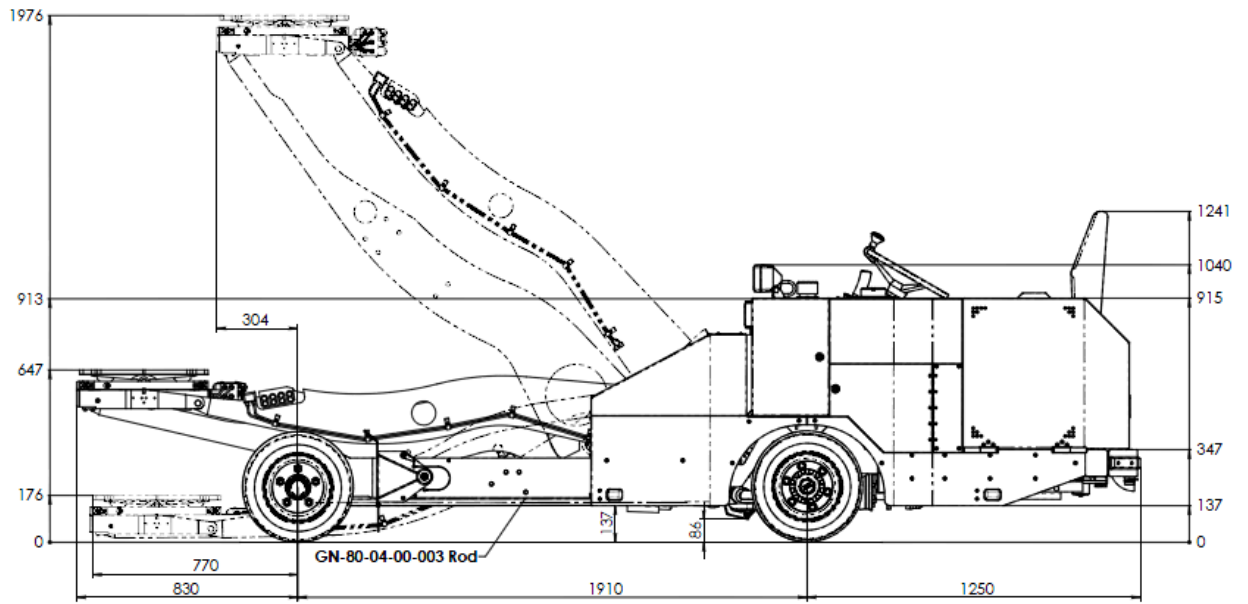
**ENGINE SPECIFICATIONS**

Model No. ....	Perkins 403c-15G
Rated output .....	22 kw @ 2500RPM
Cooling system .....	Water-cooled
Displacements .....	1.496 litter

**ELECTRICAL CHARACTERISTICS**

12 Volt System





↑ A (Sheet 3)

